

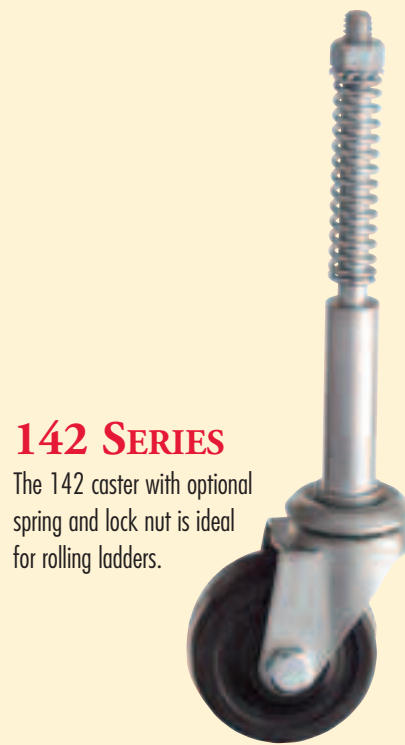
# Door/Ladder Casters



**043 SERIES**  
The 043 caster is for use on ladders, etc., with 25 lb. compression rating.



**182 SERIES**  
Has heavy compression spring (100 lbs. rated for door support).



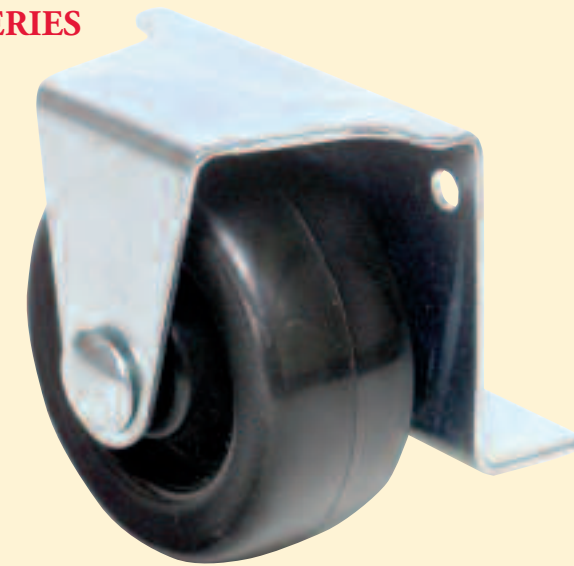
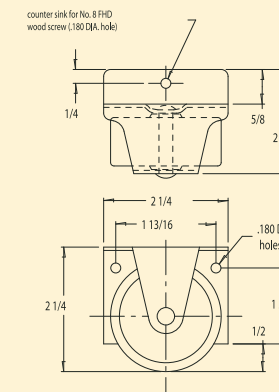
**142 SERIES**  
The 142 caster with optional spring and lock nut is ideal for rolling ladders.



**582 SERIES**  
Has heavy compression spring (200 lbs. rated for door support).

**882 SERIES**  
Has heavy compression spring (300 lbs. rated for door support).

## “CC” SERIES



# Concealed Casters

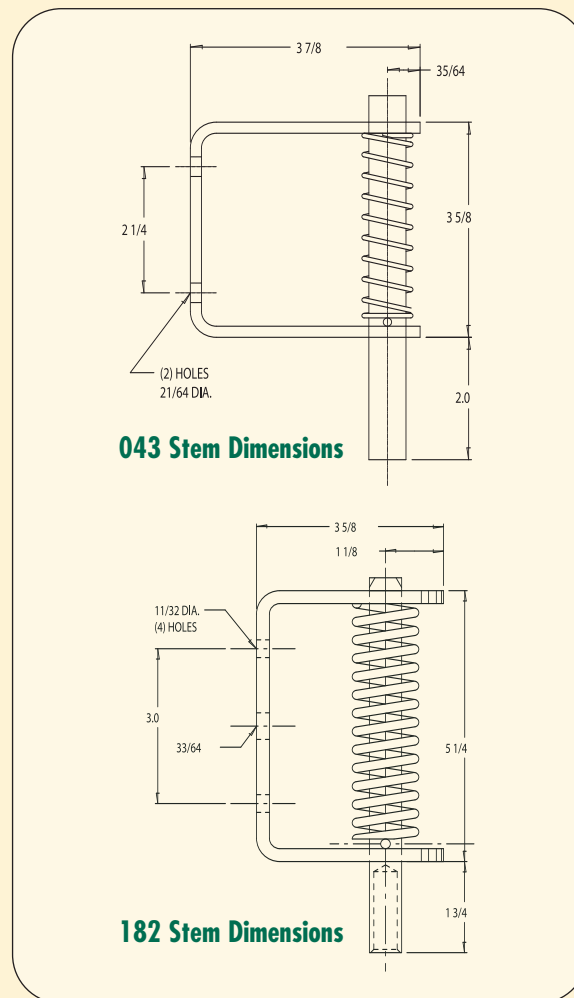
Do you desire to conceal or hide casters on your furniture, cabinets, or appliances? This 2" rigid model standard with a plastic Peejay wheel is the answer. The lower lip is easily positioned to your equipment. Zinc plate standard, but other finishes, such as black oxide, are available.

| “CC” SERIES          |                 |        |              |                |
|----------------------|-----------------|--------|--------------|----------------|
| WHEEL SPECIFICATIONS |                 |        |              | Catalog Number |
| Diameter inches      | Diameter inches | Type   | Cap Each lbs | Plain Bearing  |
| 2                    | 7/8             | Peejay | 100          | CC-141-2PJ     |

| 043 SERIES           |         |              |                  |                                   |  |
|----------------------|---------|--------------|------------------|-----------------------------------|--|
| WHEEL SPECIFICATIONS |         |              | Height Less Stem | Mounting Plate                    |  |
| Diameter inches      | Type    | Cap Each lbs | inches           |                                   |  |
| 3                    | Payflex | 75           | 3 1/16           | 1 x 3 3/8, 2 holes, 2 1/8 spacing |  |
|                      | Payrock | 100          |                  |                                   |  |

| 182 SERIES           |         |              |                  |  |  |
|----------------------|---------|--------------|------------------|--|--|
| WHEEL SPECIFICATIONS |         |              | Height Less Stem | Stem Dimensions                          |  |
| Diameter inches      | Type    | Cap Each lbs | inches           |  |  |
| 2                    | Payron  | 100          | 2 3/4            | 2 X 5 1/8 Plate<br>4 Holes,<br>1 1/4 x 3 |  |
|                      | Payflex | 75           |                  |  |  |
|                      | Payrock | 100          |                  |  |  |
| 2 1/2                | Payflex | 75           | 3 7/16           |  |  |
|                      | Peejay  | 100          |                  |  |  |
| 3                    | Payflex | 100          | 3 1/16           |  |  |
|                      | Payrock | 125          |                  |  |  |

| 142 SERIES           |         |              |                  |   |  |
|----------------------|---------|--------------|------------------|---|--|
| WHEEL SPECIFICATIONS |         |              | Height Less Stem | Stem Dimensions                           |  |
| Diameter inches      | Type    | Cap Each lbs | inches           |   |  |
| 2                    | Payflex | 75           | 2 3/4            | 5/16 x 2 Base<br>5/16 - 18 x 3 Upper Stem |  |
|                      | Payrock | 100          |                  |   |  |
| 2 1/4                | Payflex | 75           | 3 1/4            |   |  |
|                      | Peejay  | 100          |                  |   |  |
| 3                    | Payflex | 100          | 3 1/2            |   |  |
|                      | Payrock | 125          |                  |   |  |



| 582 SERIES           |         |              |                  |  |  |
|----------------------|---------|--------------|------------------|--|--|
| WHEEL SPECIFICATIONS |         |              | Height Less Stem | Mounting Plate                           |  |
| Diameter inches      | Type    | Cap Each lbs | inches           |  |  |
| 2 1/2                | Payron  | 150          | 3 15/16          | 2 X 5 1/8 Plate<br>4 Holes,<br>1 1/4 x 3 |  |
|                      | Payflex | 150          |                  |  |  |
|                      | Payrock | 200          |                  |  |  |
| 3                    | Payron  | 210          | 4                |  |  |
|                      | Payflex | 150          |                  |  |  |
|                      | Payrock | 210          |                  |  |  |

| 882 SERIES           |         |              |                  |                                       |  |
|----------------------|---------|--------------|------------------|---------------------------------------|--|
| WHEEL SPECIFICATIONS |         |              | Height Less Stem | Mounting Plate                        |  |
| Diameter inches      | Type    | Cap Each lbs | inches           |                                       |  |
| 3                    | Plexite | 500          | 4 5/8            | 2 x 5 1/8 Plate<br>4 Holes, 1 1/4 x 3 |  |

| ALL PURPOSE DOLLY    |         |              |               |  |  |
|----------------------|---------|--------------|---------------|--|--|
| WHEEL SPECIFICATIONS |         |              | Approx Weight | Casting Dimensions   |  |
| Diameter inches      | Type    | Cap Each lbs | lbs           |  |  |
| 2                    | Payflex | 225          | 6 3/4         | 9 1/2 x 9 1/2 x 9 1/2 with 3 1/2 O.D. recessed triangular center |  |
|                      | Payrock | 300          |               |  |  |
| 2 1/2                | Payflex | 300          | 6 7/8         |  |  |
|                      | Payrock | 400          |               |  |  |
| 3                    | Payflex | 375          | 7             |  |  |
|                      | Payrock | 630          |               |  |  |

## ALL PURPOSE DOLLY



\*Optional Extras: Spring and lock nut kit available.