

# V-Grooved

Every Payson V-Grooved wheel has been accurately machined to fit tightly on angle iron track. At the same time, they have also been designed for use on ordinary floor surfaces. The capacities listed are for manual operation up to four miles per hour. For static loads, the capacities can be increased appreciably.

### Applications:

For production systems which operate constantly from station to station. Allows better use of floor space and avoids cluttered aisles.

### Engineering Data:

- Payron semi-steel wheels.
  - High tensile Payductile wheels for high capacity loads.
- (See particular series in standard section for caster specifications.)

### Standard Features/Components:

- Zinc plated.
- Nut & bolt axles.

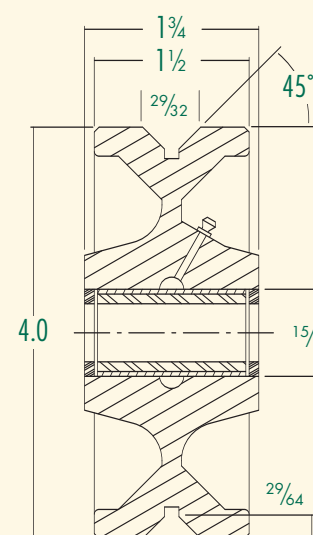


V-GROOVED SWIVEL SPECIFICATIONS											
WHEEL SPECIFICATIONS				CATALOG NUMBER		Approx. Weight lbs	Swivel Radius inches	Height Over-All inches	Width by Length inches	Bolt Hole Spacing	Size of Bolt Holes
Diameter inches	Width inches	Type	Cap Each lbs	Swivel Roller Bearings	Timken Bearings						
4	1½	Payron	425	760-4USG		4	3½	5	4 x 5	4 x 5	25/64
		Payron	800	070-4USG		4½	3¾	5½	3¾ x 4½	2½ x 3½ slotted to 3 x 3	25/64
6	2	Payron	1000	200-6USG		10½	5	7½	3¾ x 4½	2½ x 3½ slotted to 3 x 3	25/64
	2½	Payron	2000	300-6USG		22	5¼	7¾	4¾ x 6½	2¾ x 4½ slotted to 3¾ x 5¼	33/64
8	2	Payron	1200	200-8USG		13	6½	9½	3¾ x 4½	2½ x 3½ slotted to 3 x 3	25/64
	2½	Payductile	2350	300-8UDG	300-8TDG	23	6½	10¼	4¾ x 6½	2¾ x 4½ slotted to 3¾ x 5¼	33/64
	2½	Payductile	3000	500-8UDG	500-8TDG	26	6½	10¼	5½ x 7½	3¾ x 5¼ slotted to 4¾ x 6½	33/64
	4	Payductile	10000	800-8UDG	800-8TDG	52	6½	11	6½ x 7½	4½ x 6	9/16
	4	Payductile	15000	900-8UDG	900-8TDG	67	6½	11¼	8½ x 8½	7 x 7	11/16
10	4	Payductile	10000	800-10UDG	800-10TDG	64	7½	13	6½ x 7½	4½ x 6	9/16
	4	Payductile	15000	900-10UDG	900-10TDG	79	7½	13¼	8½ x 8½	7 x 7	11/16

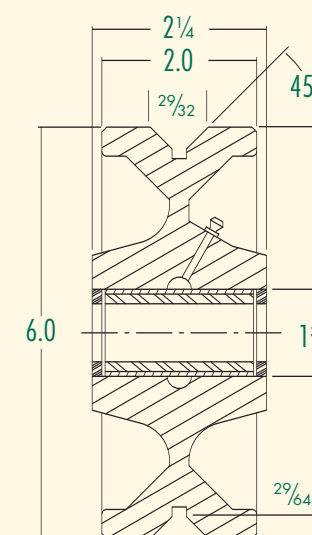
V-GROOVED RIGID SPECIFICATIONS											
WHEEL SPECIFICATIONS				CATALOG NUMBER		Approx. Weight lbs	Height Over-All inches	Width by Length inches	Bolt Hole Spacing	Size of Bolt Holes	
Diameter inches	Width inches	Type	Cap Each lbs	Rigid Roller Bearings	Timken Bearings						
4	1½	Payron	425	761-4USG		3¼	5	3½ x 6¼	1¾ x 5	25/64	
		Payron	800	071-4USG		3½	5½	3¾ x 4½	2½ x 3½ slotted to 3 x 3	25/64	
6	2	Payron	1000	201-6USG		9½	7½	3¾ x 4½	2½ x 3½ slotted to 3 x 3	25/64	
	2½	Payron	2000	301-6USG		19½	7½	4¾ x 6½	2¾ x 4½ slotted to 3¾ x 5¼	33/64	
8	2	Payron	1200	201-8USG		12	9½	3¾ x 4½	2½ x 3½ slotted to 3 x 3	25/64	
	2½	Payductile	2350	301-8UDG	301-8TDG	20½	10¼	4¾ x 6½	2¾ x 4½ slotted to 3¾ x 5¼	33/64	
	2½	Payductile	3000	501-8UDG	501-8TDG	22	10½	5¼ x 7¼	3¾ x 5¼ slotted to 4¾ x 6½	33/64	
	4	Payductile	10000	801-8UDG	801-8TDG	44	11	6½ x 7½	4½ x 6	9/16	
10	4	Payductile	15000	901-8UDG	901-8TDG	57	11¼	8½ x 8½	7 x 7	11/16	
	4	Payductile	10000	801-10UDG	801-10TDG	56	13	6½ x 7½	4½ x 6	9/16	
4	Payductile	15000	901-10UDG	901-10TDG	69	13¼	8½ x 8½	7 x 7	11/16		

\*Maximum capacity for any Payductile V-Grooved wheel with roller bearings is 8000lbs.

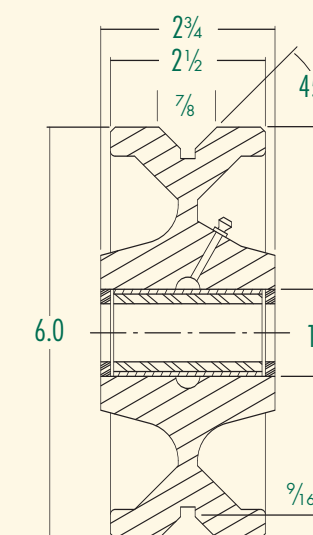
## ► PAYRON SEMI-STEEL: ROLLER BEARINGS



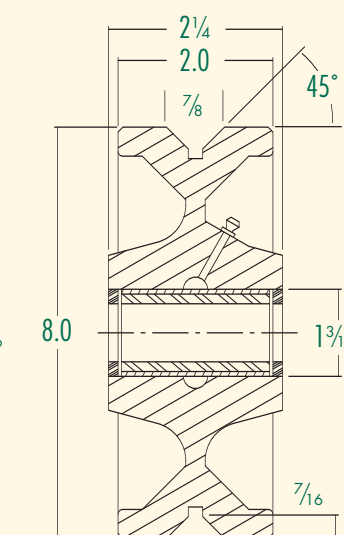
**04150-USG**  
Payron Semi-Steel  
4" x 1½", Roller Bearing



**06200-USG**  
Payron Semi-Steel  
6" x 2", Roller Bearing

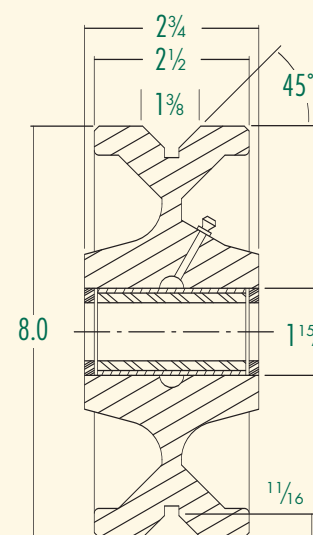


**06250-USG**  
Payron Semi-Steel  
6" x 2½", Roller Bearing

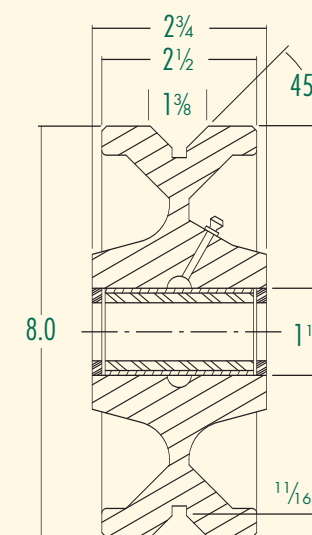


**08200-USG**  
Payron Semi-Steel  
8" x 2", Roller Bearing

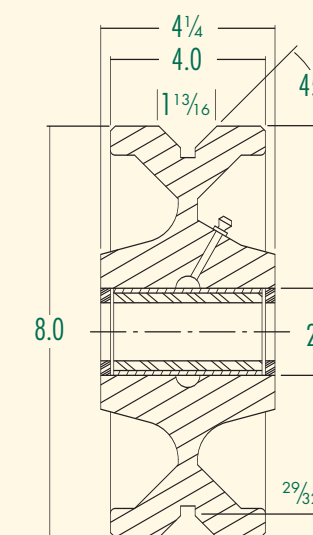
## ► PAYDUCTILE: ROLLER BEARINGS



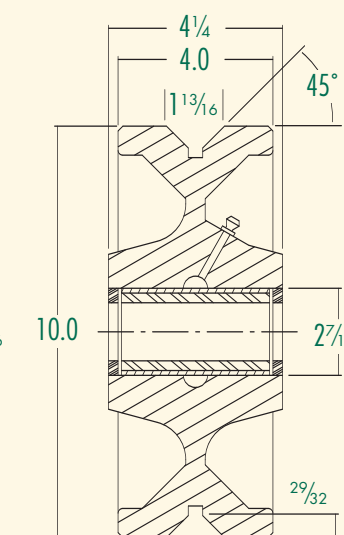
**08250-UDG**  
Payductile  
8" x 2½", 1" Roller Bearing



**08251-UDG**  
Payductile  
8" x 2½", 1¼" Roller Bearing



**08400-UDG**  
Payductile Iron  
8" x 4", 1½" Roller Bearing



**10400-UDG**  
Payductile Iron  
10" x 4", 1½" Roller Bearing